



Low voltage AC drives

ABB component drives

ACS55

0.18 to 2.2 kW / 0.25 to 3 hp

Catalog

Power and productivity  
for a better world™



# ABB component drives

## ABB component drives

ABB component drives are designed to be incorporated into a wide variety of simple machines such as automatic gates, exercise machines, whirlpools and pizza ovens. The drives are widely available and easy to purchase through the ABB distribution network.

The drives are compact and slim. Several mounting methods like DIN rail mounting make it easy to fit the drives into a variety of cabinet designs. The drive is programmed by switches and potentiometers. More advanced programming is possible via a DriveConfig kit PC tool. The drives work with single phase power and are suitable for domestic environments.

## Highlights

- Built-in 1<sup>st</sup> environment EMC filter as standard: Suitable for single phase residential and commercial applications
- Compact and slim design
- Several installation alternatives
- Reduced motor noise with high switching frequency
- Easy configuration using potentiometers and switches
- Fast programming of drives without the need for a power connection

Feature	Advantage	Benefit
Worldwide availability and service	Drives are available worldwide and stocked in four regions. Dedicated global service and support network that is one of the largest in the industry.	Fast and reliable delivery with dedicated support to any country in the world.
Single phase supply	Suitable for single phase residential and commercial applications	Avoids cabling and installation costs associated with three-phase supplies
Slim design	Fits easily into a variety of cabinet designs	Reduced cabinet size or greater packing density can be achieved
Several installation alternatives	Can be mounted using screws or DIN-rail side-by-side or sideways	The same drive type can be used across different designs, saving time and installation costs
High switching frequency	Reduced motor noise	Lower disturbance to the building's occupants
Built-in EMC filter	High degree of electromagnetic compatibility. Category C2 (1 <sup>st</sup> environment) RFI filters as standard.	Low EMC emissions in all environments
Easy configuration	Quick set-up and simple configuration	Substantial time savings. Minimal expertise needed.
DriveConfig kit available as an option	Fast, easy and safe configuration of drives without the need for a power connection. Extended range of application parameter values and more drive functionality. Reliable copying of parameter values from PC to drives.	Substantial time savings. Drive can be configured without an electrician present. Drive suitable for a wide range of applications. Reduced risk of errors during setup.
Wide ambient operating temperature	Drives can be operated in high ambient temperatures up to up to 55 °C degrees	One drive series can be used in a wide range of different environmental conditions

# Typical applications

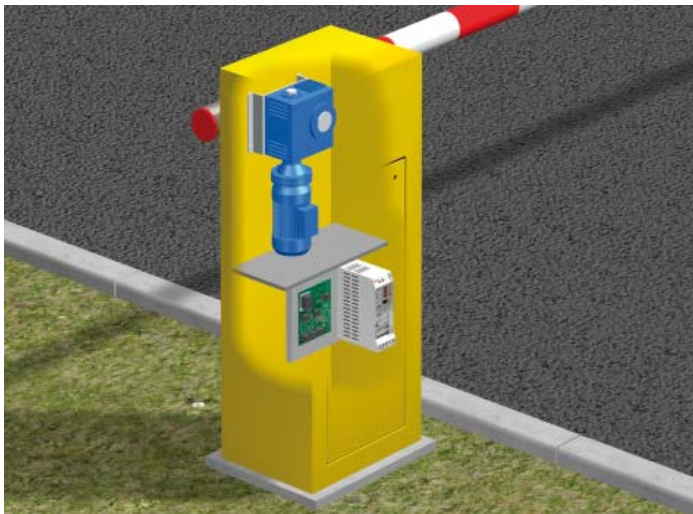
ABB component drives bring speed control benefits to a wide variety of applications such as fans, pumps, material handling systems, variety of commercial machines and many more.

**In automatic gates** the drive controls the motor that moves the gate's barrier up and down. The drive provides the barrier with smooth start and stop, thereby reducing maintenance costs. A slim design allows installation of the drive in the restrictive space associated with gate enclosures.

**In solar trackers** the drive controls the electric motor that turns the solar panel to track the sun. With a wide temperature range up to 55 °C, the drive can be used in environments with diverse ambient temperature. The DriveConfig kit provides a quick and safe way to configure multiple drives for hundreds or even thousands of solar trackers.

**In treadmills** the drive controls the speed of the motor powering the running belt. The drive offers high torque and accurate speed control throughout the treadmill's speed range providing smooth acceleration and deceleration for the user. Audible noise is reduced through the drive switching at higher frequencies. A built-in 1<sup>st</sup> environment EMC filter as standard provides low EMC emissions in all environments.

**In whirlpool baths** the drive controls the pump that generates the pool's water jets. The user controls the start, stop and power of the jets via a user interface connected to the drive's I/O. The drive provides silent operation by using a high switching frequency. The drive's heatsink for cooling enables the drive to be enclosed to a high protection class enclosure.



# Ratings, types and voltages

$P_N$ kW	$P_N$ hp	Output current		Input current A	Type designation	Fuse A type gG * W	Heat dissipation W	Cooling requirements m <sup>3</sup> /h **	Frame size	H1 mm	H2 mm	W mm	D mm	Weight kg
		nominal A	max A											

### Built-in EMC filter, 1-phase supply voltage 200/240 V, +10/-15%, 3-phase output 200/240 V

0.18	0.25	1.4	2.1	4.4	ACS55-01E-01A4-2	10	21	Natural convection	A	170	146.5	45	128	0.65
0.37	0.5	2.2	3.3	6.9	ACS55-01E-02A2-2	16	32	Natural convection	A	170	146.5	45	128	0.7
0.75	1.0	4.3	6.5	10.8	ACS55-01E-04A3-2	16	51	Natural convection	B	170	146.5	67.5	128	0.9
1.5	2	7.6	11.4	18.2	ACS55-01E-07A6-2	25	74	26	D	226	203	70	159	1.6
2.2	3	9.8	14.7	22	ACS55-01E-09A8-2	32	103	26	D	226	203	70	159	1.7

$P_N$ kW	$P_N$ hp	Output current		Input current A	Type designation	Fuse A type gG * W	Heat dissipation W	Cooling requirements m <sup>3</sup> /h **	Frame size	H1 mm	H2 mm	W mm	D mm	Weight kg
		nominal A	max A											

### No EMC filter, 1-phase supply voltage 200/240 V, +10/-15%, 3-phase output 200/240 V

0.18	0.25	1.4	2.1	4.4	ACS55-01N-01A4-2	10	21	Natural convection	A	170	146.5	45	128	0.65
0.37	0.5	2.2	3.3	6.9	ACS55-01N-02A2-2	16	32	Natural convection	A	170	146.5	45	128	0.7
0.75	1.0	4.3	6.5	10.8	ACS55-01N-04A3-2	16	51	Natural convection	B	170	146.5	67.5	128	0.9
1.5	2	7.6	11.4	18.2	ACS55-01N-07A6-2	25	74	26	C	194	171	70	159	1.2
2.2	3	9.8	14.7	22	ACS55-01N-09A8-2	32	103	26	C	194	171	70	159	1.3

$P_N$ kW	$P_N$ hp	Output current		Input current A	Type designation	Fuse A type gG * W	Heat dissipation W	Cooling requirements m <sup>3</sup> /h **	Frame size	H1 mm	H2 mm	W mm	D mm	Weight kg
		nominal A	max A											

### Built-in EMC filter, 1-phase supply voltage 110/120 V, +10/-15%, 3-phase output 200/240 V

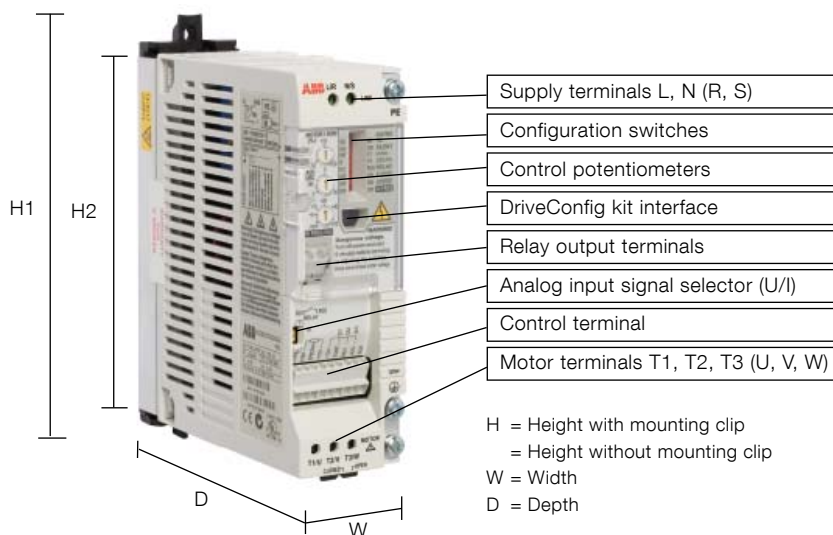
0.18	0.25	1.4	2.1	6.4	ACS55-01E-01A4-1	10	24	Natural convection	A	170	146.5	45	128	0.65
0.37	0.5	2.2	3.3	9.5	ACS55-01E-02A2-1	16	35	Natural convection	A	170	146.5	45	128	0.7

$P_N$ kW	$P_N$ hp	Output current		Input current A	Type designation	Fuse A type gG * W	Heat dissipation W	Cooling requirements m <sup>3</sup> /h **	Frame size	H1 mm	H2 mm	W mm	D mm	Weight kg
		nominal A	max A											

### No EMC filter, 1-phase supply voltage 110/120 V, +10/-15%, 3-phase output 200/240 V

0.18	0.25	1.4	2.1	6.4	ACS55-01N-01A4-1	10	24	Natural convection	A	170	146.5	45	128	0.65
0.37	0.5	2.2	3.3	9.5	ACS55-01N-02A2-1	16	35	Natural convection	A	170	146.5	45	128	0.7

\* Recommended values. Do not use ultra rapid or low peak fuses. Follow local rules.  
 \*\* Ensure minimum installation space is provided. See ACS55 User's Guide for more detailed.





# Options

## DriveConfig kit

The DriveConfig kit is a PC tool for programming and control of ACS55 drives that need more functionality. The kit enables parameter setting and software updating without the need for a power connection. The drives can even remain in their delivery boxes during configuration which means no need for a safe area. The DriveConfig kit features online drive control and monitoring of up to four signals simultaneously. Together with the ACS55 drives series, the DriveConfig kit helps save time by ensuring fast setup, accurate parameter settings and reliable operation.

The DriveConfig kit gives users access to an extended range of application parameter values, which can be used to add drive functionality. Please see the table on the right for the value ranges, functionality and the actual signals enabled by the DriveConfig kit.

### The DriveConfig kit includes:

- Hardware and cables
- PC software
- User's manual in English (hardcopy and PDF)
- Battery charger

### DriveConfig kit requirements:

- PC with Microsoft Windows 2000/XP/Vista/Windows 7 operating system
- USB port on the PC



Application parameters		
P1105	Maximum reference	0 to 250 Hz
P1202	Constant speed 1	0 to 250 Hz
P1203	Constant speed 2	0 to 250 Hz
P1204	Constant speed 3	0 to 250 Hz
P1301	AI min	0 / 1 (0/20%)
P1401	Relay output	Fault / Fault (-1) / Run
P2007	Minimum frequency	0 to 250 Hz
P2008	Maximum frequency	0 to 250 Hz
P2021	Minimum frequency to modulate	
P2102	Stop mode	Coast / ramp
P2202	Acceleration time	0.1 to 100 s
P2203	Deceleration time	0.1 to 100 s
P2603	IR compensation voltage	0 to 80 V
P2604	IR compensation frequency	0 to 250 Hz
P2605	U/F ratio	Linear / squared
P2606	Switching frequency	5 / 16 kHz
P3005	Motor thermal protection	Enabled / disabled
P3101	Reset	Stop / automatic + stop / No reset
P9902	Application macro	ABB Standard, 3-wire, Alternate, Constant speed, Motor potentiometer, Motpot (R)
P9905	Motor nominal voltage	110 to 230 V AC
P9906	Motor nominal current	50 to 150%
P9907	Motor nominal frequency	40 to 250 Hz
P9912	SW Parameters	
Actual signals (read only)		
P0102	Output frequency	Hz
P0104	Current	A
P0107	DC voltage	V
P0109	Output voltage	V
P0111	Reference	Hz
P0160	DI status	000 / 111
P0162	RO status	0 / 1
P0401	Last fault	Fault name

## Potentiometer

The ACS55-POT potentiometer is an option for the ACS55 drives. Two switches are included in addition to the potentiometer for drive control; start / stop and forward / reverse. The ACS55-POT potentiometer does not require an external power source.

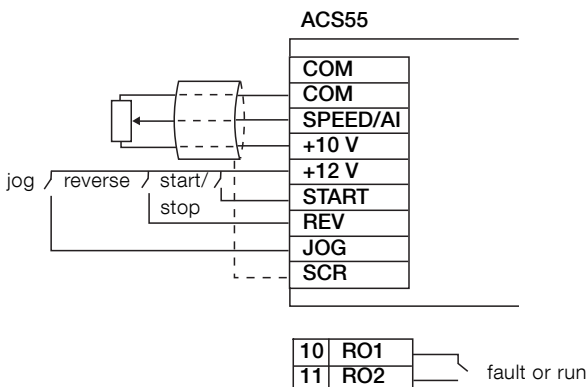


# Technical data

Mains connection		
Power range	0.18 to 2.2 kW	
Voltage	1-phase, 110 to 120 V and 200 to 240 V, +10 /-15%	
Frequency	48 to 63 Hz	
Motor connection		
Voltage	3-phase, from 0 to $U_{\text{SUPPLY}}$ (for 110 / 120 V from 0 to 230 V)	
Frequency	0 to 120 / 130 Hz, 0 to 250 Hz with DriveConfig kit	
Overload capacity	150% (60 s)	
Motor control method	Scalar U/f	
Application parameters		
	As standard	With DriveConfig kit
Motor nominal frequency	50 / 60 Hz	40 to 250 Hz
Acceleration time	0.1 to 30 s	0.1 to 100 s
Deceleration time	0.1 to 30 s	0.1 to 100 s
Maximum frequency	50 to 120 Hz	0 to 250 Hz
Relay output	Fault / Run	Fault / Fault (-1) / Run
Load type	Pump / fan or constant	
Switching frequency	Standard	
	5 kHz, adjustable up to 16 kHz with automatic switching frequency reduction	
Environmental limits		
Ambient temperature	-20 to 40 °C with nominal current and 5 kHz switching frequency, no frost allowed	
	up to 55 °C with derating	
Altitude	Output current	
	Nominal current: 0 to 1000 m reduced by 1% per 100 m over 1000 m to 2000 m	
Relative humidity	Lower than 95% (without condensation)	
Degree of protection	IP20	
Contamination levels	No conductive dust allowed, corrosive liquids or gases (IEC 60721-3-3)	

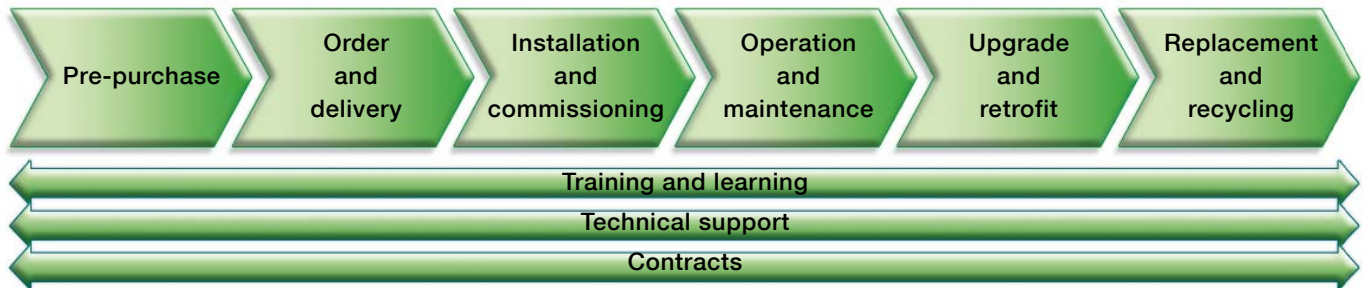
Control connections	
<b>One analog input</b>	
Voltage signal	0 (2) to 10 V, 200 k $\Omega$ single-ended
Current signal	0 (4) to 20 mA, 100 $\Omega$ single-ended
Potentiometer reference value	10 V $\pm$ 2% max. 10 mA, 1 k $\Omega$ $\leq$ R $\leq$ 10 k $\Omega$
Response time	$\leq$ 60 ms
Resolution	0.1%
Accuracy	$\pm$ 1%
<b>Three digital inputs</b>	
	12 V DC with internal supply or 12 to 24 V DC external supply, PNP
Input impedance	1.5 $\Omega$
Response time	$\leq$ 9 ms
<b>One relay output</b>	
Switching voltage	12 to 250 V AC or max 30 V DC
Maximum continuous current	2 A
Product compliance	
Low Voltage Directive 2006/95/EC	
EMC Directive 2004/108/EC	
Machinery Directive 2006/42/EC	
Quality assurance system ISO 9001 and Environmental system ISO 14001	
CE, UL, cUL, C-Tick and GOST R approvals	
RoHS compliant	

## Typical I/O connections



EMC standards in general		
EN 61800-3/A11 (2000), product standard	EN 61800-3 (2004), product standard	EN 55011, product family standard for industrial, scientific and medical (ISM) equipment
1 <sup>st</sup> environment, unrestricted distribution	Category C1	Group 1 Class B
1 <sup>st</sup> environment, restricted distribution	Category C2	Group 1 Class A
2 <sup>nd</sup> environment, unrestricted distribution	Category C3	Group 2 Class A
2 <sup>nd</sup> environment, restricted distribution	Category C4	Not applicable

# Services



All industries face a common goal: to maximize their production output at the lowest possible cost, while maintaining the highest quality end products. One of ABB's key objectives is to maximize the uptime of its customers' processes by ensuring optimum lifetime of all ABB products in a predictable, safe and low cost manner.

The services offered for ABB low voltage drives span the entire value chain, from the moment a customer makes the first inquiry through to disposal and recycling of the drive. Throughout the value chain, ABB provides training and learning, technical support and contracts. All of this is supported by one of the most extensive global drive sales and service networks.

## Maximizing return on investment

At the heart of ABB's services is its drive life cycle management model. All services available for ABB low voltage drives are planned according to this model. For customers it is easy to see which services are available at which phase.

timing of the part replacements plus all other maintenance related actions. The model also helps the customer when deciding about upgrades, retrofits and replacements.

Drive specific maintenance schedules are also based on this four-phase model. Thus, a customer knows precisely the

Professional management of the drive's life cycle maximizes the return on any investment in ABB low voltage drives.

## ABB drive life cycle management model

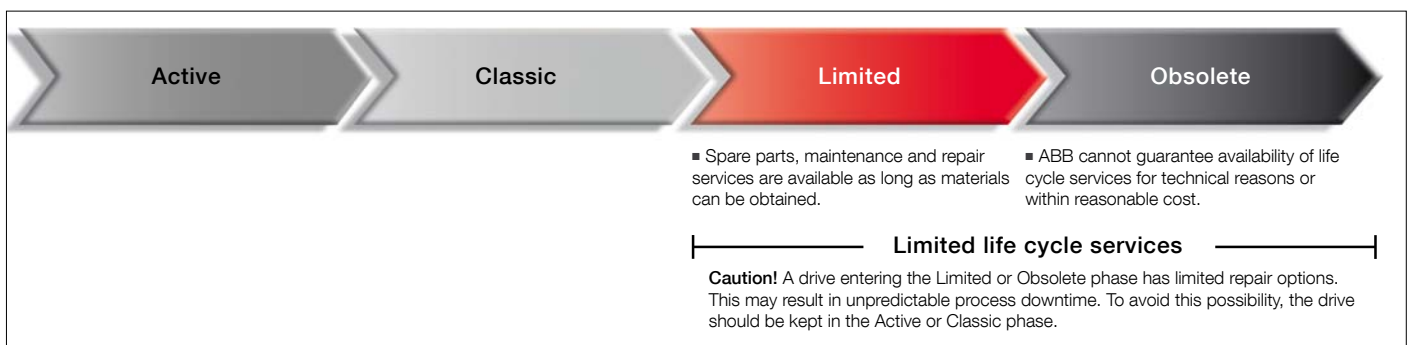
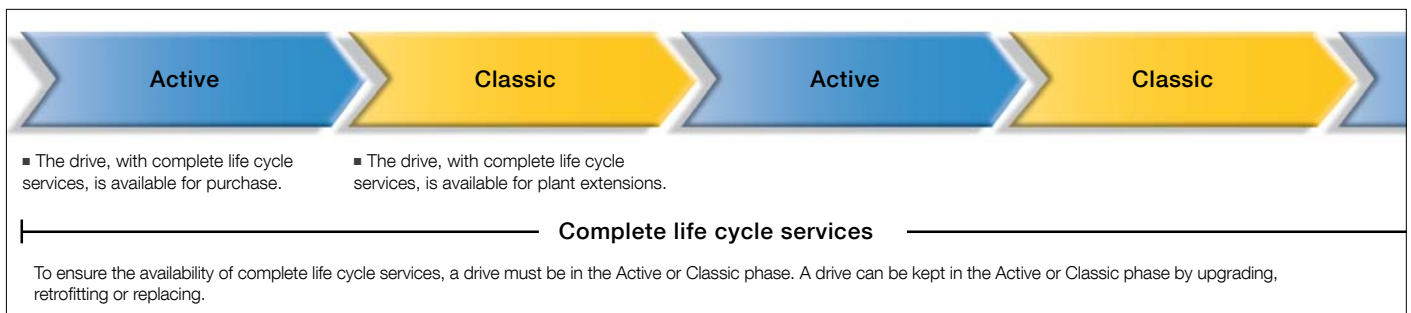


ABB follows a four-phase model for managing drive life cycles, which brings enhanced customer support and improved efficiency.

Examples of life cycle services are: selection and dimensioning, installation and commissioning, preventive and corrective maintenance, remote services, spare part services, training and learning, technical support, upgrade and retrofit, replacement and recycling.

# Contact us

[www.abb.com/drives](http://www.abb.com/drives)  
[www.abb.com/drivespartners](http://www.abb.com/drivespartners)

© Copyright 2010 ABB. All rights reserved.  
Specifications subject to change without notice.

3AFE6889842 REV D EN 10.6.2010 #14963